



蓝圣智能装备
LASEN INTELLIGENT EQUIPMENT

BR.W8球阀系列

选型样本



浙江蓝圣智能装备有限公司
ZHEJIANG LASEN INTELLIGENT EQUIPMENT CO.,LTD

公司简介

Company Profile

ZHEJIANG LASEN

INTELLIGENT EQUIPMENT

浙江蓝圣智能装备有限公司，位于风景秀丽的杭州市郊富春江畔，坐落于杭州场口工业园。公司成立于2004年，注册资金1亿元，是集研发、生产、销售、维修控制阀为一体的国家高新技术企业；占地面积10000多平方米，厂房建筑面积约8000平方米，员工110人，其中高级工程师2人，技术工程师8人，中级技工及以上员工15人，大中专文化以上占60%。

公司专业生产各类气动、电动控制阀，并承接控制装置与现场大修、保运等业务，为浙江省高新技术企业，公司已通过ISO9001-2015质量管理体系认证、ISO14001、ISO18001和特种设备制造许可证(编号:TS271047A-2025)、SiL3认证，公司在产品开发过程中，不断引进国际先进技术，采用CAD、CAE、CAM、FEA和有限元分析设计、同时公司设有新产品研发中心、寿命试验中心、高温试验中心、低温试验中心，使所有出厂的产品品质得到保证。公司拥有一支从事多年调节阀研究开发、生产制造和管理、市场销售、成品检验的专业队伍。

经过多年的市场开发和推广,产品已经广泛应用于石化、化工、煤化工、冶金、电力、空分、LNG等各个行业,并一致获得用户的好评。并且积累了大量的工程应用经验,可为广大用户提供专业、可靠、快捷、灵活的全过程工程服务,使用户无后顾之忧。目前企业主要生产高磅级蝶阀、自力式调节阀、气(电)动调节阀、气(电)动切断阀及特种阀门(如锆才、双向钢、各类Ti、哈氏等),产品技术含量高,质量稳定可靠,产品畅销国内外。

公司一直在打造“因为有你,所以更好”的企业文化,同心汇聚,创造辉煌。一贯秉承“用心铸就品质,真心服务用户”的企业经营理念,来赢取用户的尊重和选择。

Zhejiang Lasen intelligent equipment Co., LTD., located in Hangzhou Changkou Industrial Park, is located in the beautiful suburb of Hangzhou Fuchun River bank. Founded in 2004 with a registered capital of 100 million yuan, the company is a national high-tech enterprise integrating research and development, production, sales and maintenance of control valves. Covers an area of more than 10,000 square meters, plant building area of about 8,000 square meters, 110 employees, including 2 senior engineers, 8 technical engineers, intermediate technicians and above 15 employees, college and technical secondary school education accounting for 60%.

The company specializes in the production of all kinds of pneumatic and electric control valves, and to undertake control devices and on-site overhaul, transportation and other businesses, as a high-tech enterprise in Zhejiang Province, The company has passed ISO9001-2015 quality management system certification, ISO14001, ISO18001 and special equipment manufacturing license (No. :TS271047A-2025), SiL3 certification, the company in the process of product development, constantly introduce international advanced technology, Using CAD, CAE, CAM, FEA and finite element analysis and design, the company has new product research and development center, life test center, high temperature test center, low temperature test center, so that all the products of the factory quality is guaranteed. The company has a professional team engaged in the research and development, production and management, marketing and sales of regulating valves for many years.

After years of market development and promotion, the products have been widely used in petrochemical, chemical, coal chemical, metallurgy, electric power, air separation, LNG and other industries, and has been consistently praised by users. And has accumulated a large number of engineering application experience, can provide professional, reliable, fast, flexible whole process engineering services for the majority of users, users have no worries. At present, the enterprise mainly produces high-pound butterfly valve, self-operated regulating valve, gas (electric) regulating valve, gas (electric) cutting valve and special valve (such as zirconium, two-way steel, all kinds of Ti, Hastelloy, etc.), the product technical content is high, the quality is stable and reliable, the products sell well at home and abroad.

The company has been creating a "because of you, so better" corporate culture, concentric convergence, create brilliant. Always adhering to the "hard cast quality, sincere service to users" business philosophy, to win the respect and choice of users.

目录 CONTENTS

BR.W8球阀系列 BR.W8 BALL VALVES SERIES

BR.W81系列O型球阀 BR.W81 Series O ball valve	01
BR.W82系列V型球阀BR.W82 Series V ball valve.....	09
BR.W83系列三通O型球阀BR.W83 Series three way O ball valve.....	16
BR.W84系列偏心旋转阀BR.W84 Series eccentric rotary valves	23
附录Appendix	28
附录A: 阀体的使用温度·压力范围Appendix A: Valve body temperature and pressure range	28
附录B: 阀内件、填料的使用温度·压力范围 Appendix B: Valve Trim、Packing temperature and pressure range.....	30
附录C: 常用材料牌号对照表Appendix C: Comparison table of commonly used material grades	31
附录D: 常用材料选用表Appendix D: Selection list of common materials.....	32
附录E: 型号编制说明 Appendix E: Model specification	34

BR.W81系列O型球阀

BR.W81 Series O ball valve

阀本体 VALVE BODY

型式 Type	O 型球阀 O ball valve
公称通径 Body size	15~500 mm(1/2"~20")
公称压力 Body ratings	PN16, 25, 40, 63, 100, 160, 250, 420 ANSI CLASS 150, 300, 600, 900, 1500, 2500
连接方式 Connections	法兰式 (RF、MFM、RJ) Flanged(RF、MFM、RJ) 焊接式 (BW) Weld ends (BW)
法兰标准 Flange standard	HG/T20592 HG/T20615 ANSI B16.5
阀体及阀盖材质 Body & Bonnet Material	LCB WCB WC6 WC9 CF8 CF8M CF3 CF3M A105 F304 F92……
上阀盖型式 Bonnet type	标准型 Standard type -29 ~ +200 °C 散热型 Fin-Extension type +200 ~ +560 °C 低温型 Low temperature type -196 ~ -29 °C
填料 Packing	V 型聚四氟乙烯 V-PTFE 柔性石墨 Flexible Graphite
泄漏量 Seat leakage	硬密封 Hard seal: V 级, VI级 软密封 Soft seal: VI 级
涂层 Painting color	按要求 As required 不锈钢阀体不涂漆 Stainless steel body have no paint

01

执行机构 ACTUATOR

	活塞式 Piston type	全电子式 Solid state electronic type
气源 / 电源 Air supply or power supply	0.4 ~ 0.6MPa	220V.AC 50Hz 380V.AC 50Hz
接口 Connection	Rc1/4", Rc1/2", Rc3/8"	配线 :2-G1/2"
正作用 Direct action	气压增加阀闭 Air to valve shut	输入信号增加阀闭 Signal increase to vavle shut
反作用 Reverse action	气压增加阀开 Air to valve open	输入信号增加阀开 Signal increase to vavle open
环境温度 Ambient Temp.	-40 ~ +70 °C	-10 ~ +55 °C
可选阀门附件 Optional valve attachment	过滤减压器, 电磁阀, 限位开关等 Filter pressure reducer, solenoid valve, limit switch, etc	微动开关、电位器、空间加热器、 接线盒、手动手柄等 Microswitch, potentiometer, space heater, junction box, manual handle, etc

材质 MATERIAL

阀体 Body	WCB WCC A105		WC6 WC9 F22	
阀杆 Stem	17-4PH	XM-19	XM-19	Inconel 718
球芯 Ball	304	304+Ni60	304+Ni60	F92+Ni60
阀座 Seat	RPTFE	304+Ni55	304+Ni55	F92+ Ni55
填料 Packing	V-PTFE	GRAP	GRAP	
使用温度 Operating Temp.	-29~200 °C	-29~420 °C	-29~420 °C	360~560 °C
阀座泄漏量 Seat Leakage	VI	V、VI	V、VI	V、VI

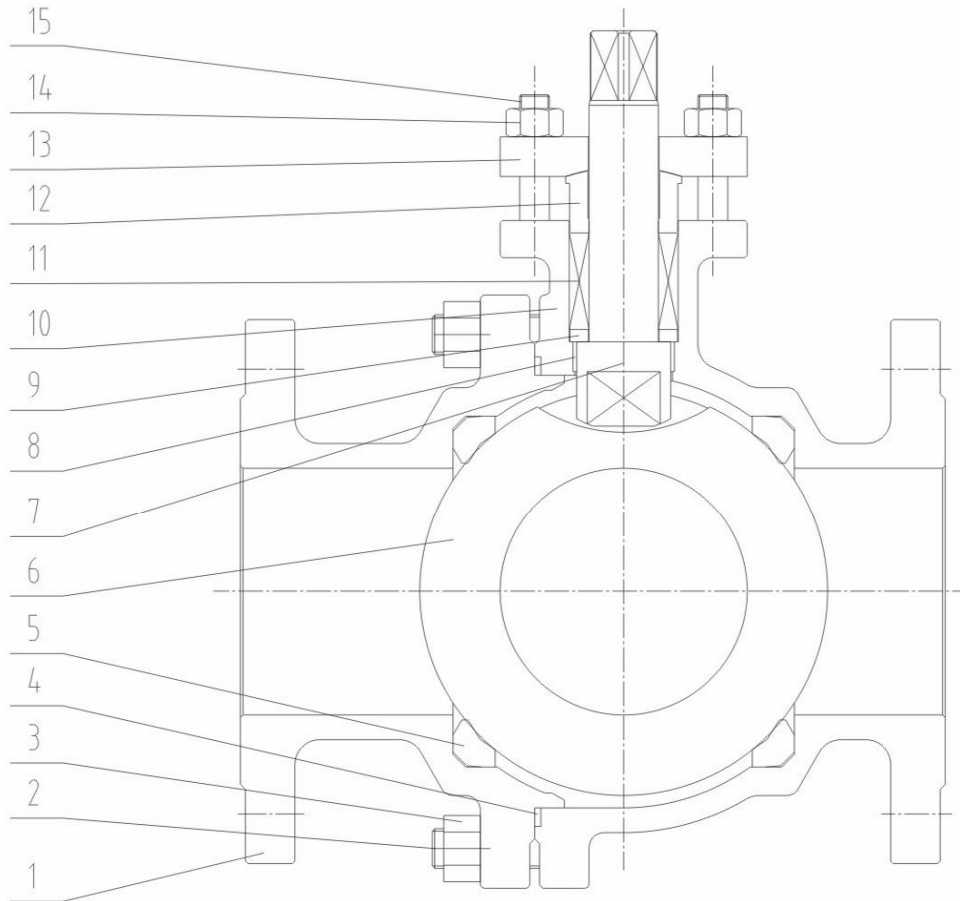
阀体 Body	WCB WCC A105		WC6 WC9 F22	
阀杆 Stem	17-4PH	XM-19	XM-19	Inconel 718
球芯 Ball	304	304+Ni60	304+Ni60	F92+Ni60
阀座 Seat	RPTFE	304+Ni55	304+Ni55	F92+ Ni55
填料 Packing	V-PTFE	GRAP	GRAP	
使用温度 Operating Temp.	-29~200 °C	-29~420 °C	-29~420 °C	360~560 °C
阀座泄漏量 Seat Leakage	VI	V、VI	V、VI	V、VI

额定Cv RATED CV

DN	IN	CV	DN	IN	CV
15	1/2 "	25	125	5 "	1700
20	3/4 "	45	150	6 "	2500
25	1 "	70	200	8 "	4400
32	1-1/4 "	120	250	10 "	6900
40	1-1/2 "	170	300	12 "	10000
50	2 "	280	350	14 "	13600
65	2-1/2 "	460	400	16 "	17500
80	3 "	680	450	18 "	22600
100	4 "	1100	500	20 "	28000

阀体结构 BODY CONSTRUCTION

浮动球 Float ball

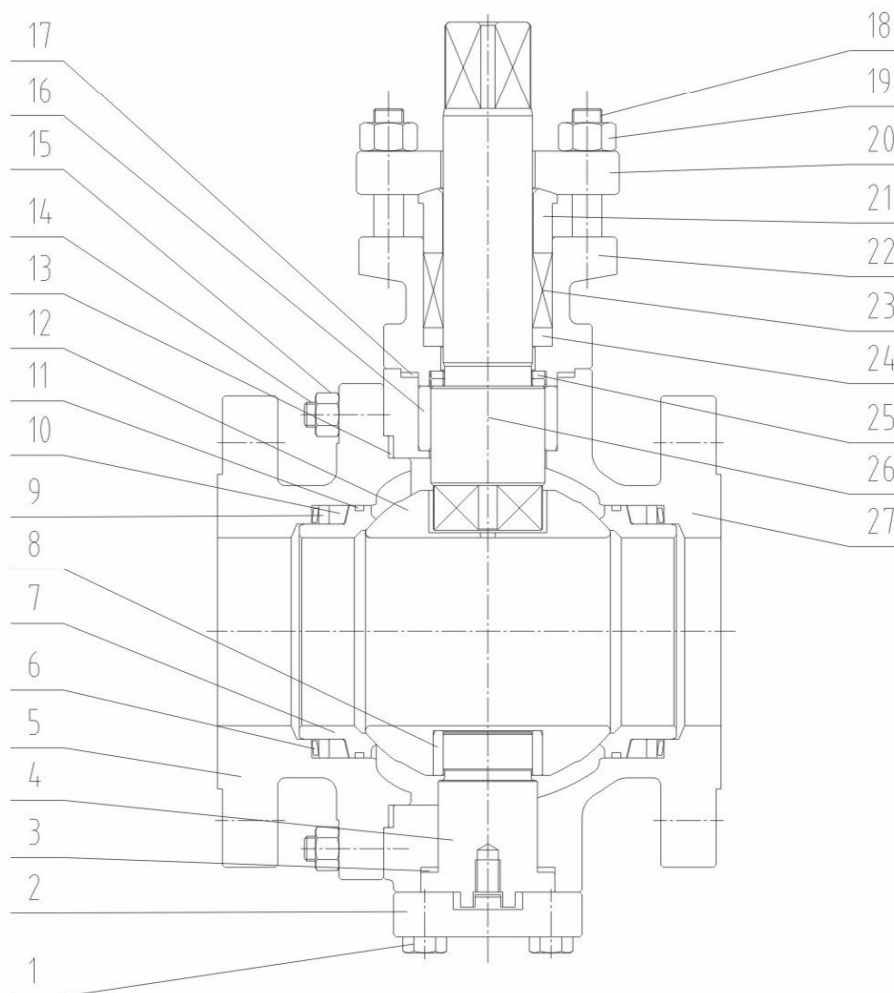


01

序号 NO	名称 Name	序号 NO	名称 Name	序号 NO	名称 Name
1	阀体 Body	6	球芯 Ball	11	填料 Packing
2	双头螺柱 Double end studs	7	阀杆 Stem	12	压套 Pressing sleeve
3	六角螺母 Nut	8	轴套 Axle sleeve	13	压板 Pressure plate
4	垫圈 Gasket	9	填料垫 Packing seat	14	六角螺母 Nut
5	阀座 Seat	10	阀体 Body	15	双头螺柱 Double end studs

BR.W8 系列球阀
BR.W8 SERIES BALL VALVE

固定球 Fixed ball



01

序号 NO	名称 Name	序号 NO	名称 Name	序号 NO	名称 Name
1	六角螺栓 Hex bolt	10	密封环 Sealing ring	19	六角螺母 Nut
2	底盖 Bottom	11	O 型圈 o-rings	20	压板 Pressure plate
3	垫圈 Gasket	12	球芯 Ball	21	压套 Pressing sleeve
4	底轴 Bed shaft	13	垫圈 Gasket	22	阀盖 Bonnet
5	阀体 Body	14	双头螺柱 Double end studs	23	填料 Packing
6	蝶簧 Butterfly spring	15	六角螺母 Nut	24	填料垫 Packing seat
7	阀座 Seat	16	轴套 Axle sleeve	25	垫圈 Gasket
8	轴套 Axle sleeve	17	垫圈 Gasket	26	阀杆 Stem
9	垫圈 Gasket	18	双头螺柱 Double end studs	27	阀体 Body

球阀力矩(单位: N.M) BALL VALVE TORQUE (UNIT: N.M)

软密封浮动球 Soft seal floating ball

DN		15	20	25	32	40	50	65	80	100	125	150	200
PN	16	7	9	11	16	20	29	51	75	120	230	360	750
	40	10	12	15	23	28	40	70	100	170	320	480	1000
	63	15	18	23	35	45	70	120	170	280	500	850	1800
CL	150	9	11	14	20	25	35	60	90	140	245	380	800
	300	11	13	17	25	35	55	85	130	200	350	520	1200

软密封固定球 Soft seal fixed ball

DN		50	65	80	100	125	150	200	250	300	350	400	450	500
PN	16	40	65	85	140	230	360	650	850	1400	2200	2600	3200	4700
	40	55	85	110	190	340	490	900	1200	2000	3200	3800	4600	6800
	63	85	135	190	300	550	810	1500	2100	3400	5400	6400	7800	11400
CL	150	50	75	100	150	260	390	700	950	1500	2400	2900	3500	5100
	300	70	100	140	210	370	540	1000	1400	2300	3600	4300	5200	7600

硬密封浮动球 Hard seal floating ball

DN		15	20	25	32	40	50	65	80	100	125	150	200
PN	16	16	20	25	36	47	77	109	173	318	500	910	1730
	40	20	23	28	41	55	132	182	318	590	1000	1820	3550
	63	29	33	41	59	78	156	260	455	845	1430	2600	5100
CL	150	18	22	28	40	52	85	120	190	350	550	1000	1900
	300	22	25	31	45	60	120	200	350	650	1100	2000	3900

硬密封固定球 Hard seal fixed ball

DN		50	65	80	100	125	150	200	250	300
PN	16	240	300	400	540	660	820	1070	2200	3500
	40	260	330	440	610	770	1050	1400	3500	5700
	63	300	380	500	710	1050	1500	2000	5000	8000
CL	150	270	330	430	570	710	880	1200	2500	3900
	300	290	360	480	670	870	1300	1700	4200	6800

注: 常规工况场合, 驱动装置的驱动力矩至少是阀门操作力矩的 1.3 倍; 高温、低温、非清洁介质、干燥气体工况场合, 驱动装置的驱动力矩至少是阀门操作力矩的 1.5 倍。

Note: In conventional working conditions, the driving torque of the driving device is at least 1.3 times that of the valve. In the case of high temperature, low temperature, non-clean medium and dry gas, the driving torque of the driving device is at least 1.5 times of the operating torque of the valve.

最大允许压差 (单位: MPa)

MAXIMAL ALLOWABLE PRESSURE DROPS (UNIT: MPa)

气动执行机构 Pneumatic actuator

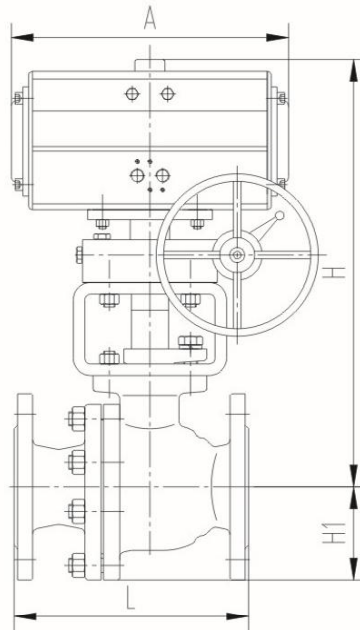
DN	DA-52	DA-63	DA-83	DA-125	DA-140	DA-190	DA-190	DA-270	DA-300
	SR-63	SR-83	SR-125	SR-160	SR-190	SR-250	SR-250	SR-350	SR-400
15	4.0								
20	1.6	6.3							
25	0.6	4.0							
32		1.6	6.3						
40		0.6	4.0	6.3					
50			1.6	4.0	6.3				
65			0.6	1.6	4.0				
80				0.6	1.6	6.3	6.3		
100					0.6	4.0	4.0		
125						1.6	1.6	6.3	
150						0.6	0.6	4.0	6.3
200								1.6	4.0
250								0.6	1.6
300									0.6

全电子式执行机构 Solid state electronic type

DN	RSA-02	RSA-05	RSB-10	RSB-20	RSC-30	RSC-60	RSD-100	RSD-150
15	4.0							
20	1.6							
25	0.6	4.0						
32		1.6	4.0					
40		0.6	1.6	4.0				
50			0.6	1.6	4.0			
65				0.6	1.6			
80					0.6	4.0		
100						1.6	4.0	
125						0.6	1.6	4.0
150							0.6	1.6
200								0.6

外形尺寸 DIMENSIONS

气动执行机构 Pneumatic actuator



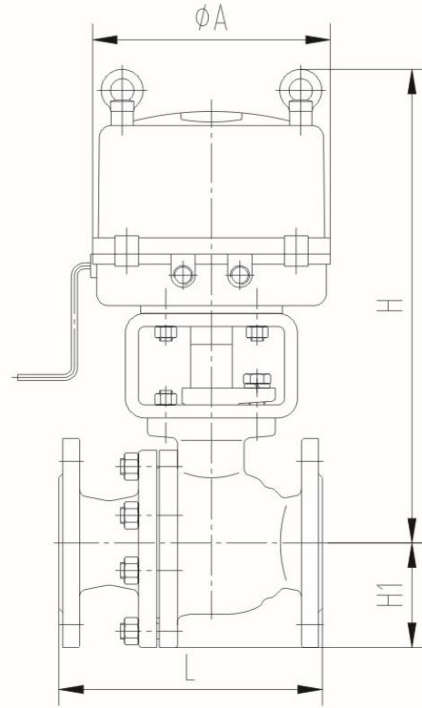
单位 UNIT: mm

DN	L				H	H1	A	执行机构
	PN16	PN40	150LB	300LB				
15	130	140	108	140	207.5	57.5	146	DA52
					230.5		168	SR-63
20	130	152	117	152	211	62.5	146	DA-52
					224		168	SR-63
25	140	165	127	165	242	67.5	168	DA-63
					263		260	SR-83
32	165	178	140	178	250	75	168	DA-63
					271		260	SR-83
40	165	190	165	190	257	82.5	168	DA-63
					302		268	SR-110
50	203	216	178	216	285	90	204	DA-83
					347		298	SR-125
65	222	241	190	241	311	100	204	DA-83
					357		298	SR-125
80	241	283	203	283	366	107.5	298	DA-125
					408		458	SR-160
100	305	305	229	305	433.5	117.5	390	DA-140
					472		525	SR-190
125	356	381	356	381	505	147	525	DA-190
					555		602	SR-250
150	394	403	394	403	575	167.5	602	DA-250
					660		742	SR-300
200	457	502	457	502	653	212.5	602	DA-250
					711		742	SR-300

BR.W8 系列球阀
BR.W8 SERIES BALL VALVE



全电子式执行机构 Solid state electronic type



单位 UNIT: mm

DN	L				H	H1	A	执行机构
	PN16	PN40	150LB	300LB				
15	130	140	108	140	351	57.5	225	RSA-02 RSA-05
20	130	152	117	152	354	62.5	225	RSA-02 RSA-05
25	140	165	127	165	362	67.5	225	RSA-02 RSA-05
32	165	178	140	178	414	150	255	RSA-05 RSB-10
40	165	190	165	190	414	82.5	255	RSA-05 RSB-10
50	203	216	178	216	421	90	255	RSA-05 RSB-10
65	222	241	190	241	487	100	255	RSB-10 RSB-20
80	241	283	203	283	536	107.5	335	RSB-20 RSC-30
100	305	305	229	305	567	117.5	335	RSC-30 RSC-50
125	356	381	356	381	745	147	520	RSC-60 RSC-80
150	394	403	394	403	763	167.5	520	RSC-80 RSD-100
200	457	502	457	502	813	212.5	520	RSD-100 RSD-150

01

BR.W82系列V型球阀

BR.W82 Series V ball valve

阀本体 VALVE BODY

型式 Type	V 型球阀 V ball valve
公称通径 Body size	25~500 mm(1"~20")
公称压力 Body ratings	PN16, 25, 40, 63 ANSI CLASS 150, 300, 600
流量特性 Characteristics	等百分比, 线性 Equal percentage, linear
可调比 R Rangeability R	等百分比 Equal percentage 100:1
连接方式 Connections	法兰式 (RF、MFM、RJ) Flanged(RF、MFM、RJ) 焊接式 (BW) Weld ends (BW)
法兰标准 Flange standard	HG/T20592 HG/T20615 ANSI B16.5
阀体及阀盖材质 Body & Bonnet Material	WCB WC6 WC9 CF8 CF8M CF3 CF3M……
填料 Packing	V 型聚四氟乙烯 V-PTFE 柔性石墨 Flexible Graphite
泄漏量 Seat leakage	硬密封 Hard seal: IV 级, V 级 软密封 Soft seal: VI 级
涂层 Painting color	按要求 As required 不锈钢阀体不涂漆 Stainless steel body have no paint

02

执行机构 ACTUATOR

	活塞式 Piston type	全电子式 Solid state electronic type
气源 / 电源 Air supply or power supply	0.4 ~ 0.6MPa	220V.AC 50Hz 380V.AC 50Hz
接口 Connection	Rc1/4", Rc1/2", Rc3/8"	配线 :2-G1/2"
正作用 Direct action	气压增加阀闭 Air to valve shut	输入信号增加阀闭 Signal increase to vavle shut
反作用 Reverse action	气压增加阀开 Air to valve open	输入信号增加阀开 Signal increase to vavle open
环境温度 Ambient Temp.	-40 ~ +70 °C	-10 ~ +55 °C
可选阀门附件 Optional valve attachment	过滤减压器, 电磁阀, 限位开关等 Filter pressure reducer, solenoid valve, limit switch, etc	微动开关、电位器、空间加热器、 接线盒、手动手柄等 Microswitch, potentiometer, space heater, junction box, manual handle, etc

材质 MATERIAL

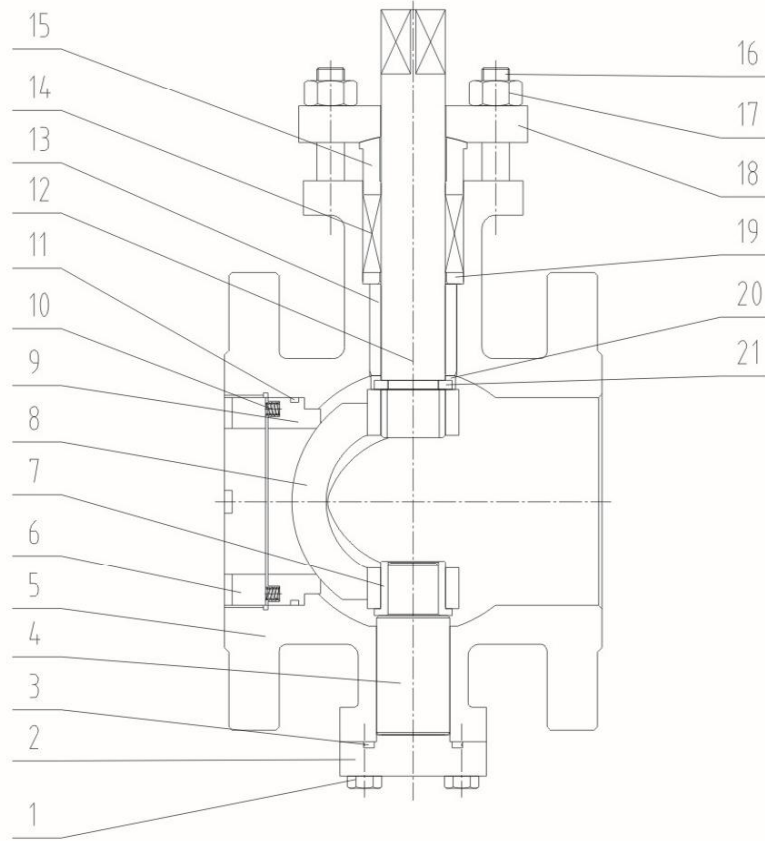
阀体 Body	WCB WCC A105		WC6 WC9 F22	
阀杆 Stem	17-4PH	XM-19	XM-19	Inconel 718
球芯 Ball	304	304+Ni60	304+Ni60	F92+Ni60
阀座 Seat	RPTFE	304+Ni55	304+Ni55	F92+ Ni55
轴套 Shaft sleeve	316 渗氮		316 渗氮	
填料 Packing	V-PTFE	GRAP	GRAP	
使用温度 Operating Temp.	-29~200 °C	-29~420 °C	-29~420 °C	360~560 °C
阀座泄漏量 Seat Leakage	VI	IV、V	IV、V	IV、V

阀体 Body	CF3 CF3M F304L F316L		CF8 CF8M F304 F316		CF8C F347
阀杆 Stem	XM-19		17-4PH	Gr660	GR660
球芯 Ball	316L	316L+Ni60	316	316+Ni60	F347+W.C
阀座 Seat	PCTFE	316L+Ni55	RPTFE	316+Ni55	F347+W.C
填料 Packing	V-PTFE	GRAP	V-PTFE	GRAP	
使用温度 Operating Temp.	-196~-40 °C		-40~200 °C	-40~420 °C	360~560 °C
阀座泄漏量 Seat Leakage	VI	IV、V	VI	IV、V	IV、V

额定Cv RATED CV

DN	IN	CV	DN	IN	CV
25	1 "	24	150	6 "	1100
32	1-1/4 "	35	200	8 "	1800
40	1-1/2 "	58	250	10 "	2800
50	2 "	120	300	12 "	4500
65	2-1/2 "	175	350	14 "	7100
80	3 "	290	400	16 "	9800
100	4 "	430	450	18 "	12600
125	5 "	720	500	20 "	15600

阀体结构 BODY CONSTRUCTION



02

序号 NO	名称 Name	序号 NO	名称 Name	序号 NO	名称 Name
1	六角螺栓 Hex bolt	8	球芯 Ball	15	压套 Pressing sleeve
2	底盖 Bottom	9	阀座 Seat	16	双头螺柱 Double end studs
3	垫圈 Gasket	10	弹簧 Spring	17	六角螺母 Nut
4	底轴 Bed shaft	11	O 型圈 o-rings	18	压板 Pressure plate
5	阀体 Body	12	阀杆 Stem	19	填料垫 Packing seat
6	压圈 Compression ring	13	轴套 Axle sleeve	20	限位套 Limit set
7	轴套 Axle sleeve	14	填料 Packing	21	限位环 Spacing ring

最大允许压差 (单位: MPa)
MAXIMAL ALLOWABLE PRESSURE DROPS (UNIT: MPa)

气动活塞式执行机构 (单作用) Pneumatic piston actuator (single action)

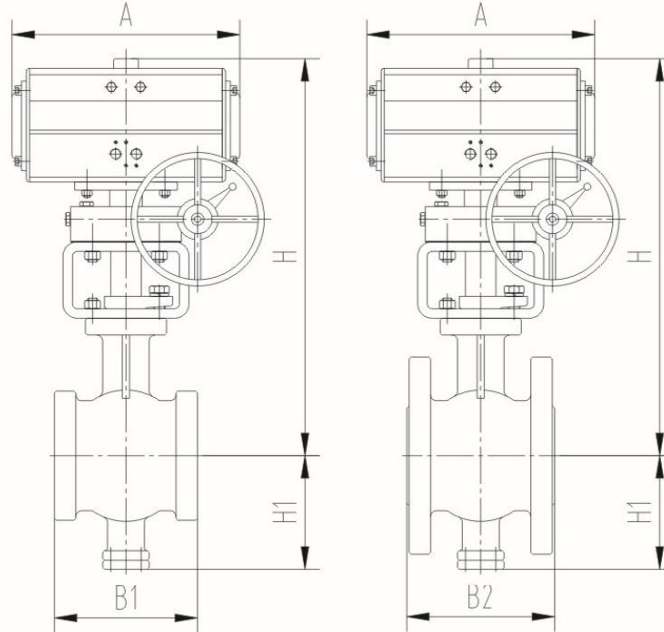
DN		SR83	SR105	SR125	SR160	SR210	SR250	SR300	SR350	SR400	SR450	SR530
25	软密封	1.6	4.1									
	金属密封	1.0	2.9									
32	软密封	1.0	3.0									
	金属密封		2.1									
40	软密封		1.8	4.0								
	金属密封		1.4	2.9								
50	软密封		1.3	2.8								
	金属密封		0.8	2.1	3.9							
65	软密封			1.7	3.4							
	金属密封			1.3	2.1							
80	软密封			1.1	2.2							
	金属密封				1.6	3.3						
100	软密封				1.4	3.0						
	金属密封				1.0	2.3						
125	软密封					1.7	2.9					
	金属密封					1.2	2.0	3.6				
150	软密封					1.1	1.8	3.3				
	金属密封						1.2	2.2	3.2			
200	软密封							1.5	2.3	3.0		
	金属密封							0.9	1.5	1.9		
250	软密封								1.2	1.6	2.5	
	金属密封								1.0	1.0	1.6	
300	软密封									0.9	1.4	
	金属密封										0.9	1.8
350	软密封										0.6	1.6
	金属密封											1.1
400	软密封											1.2
	金属密封											0.7

气动活塞式执行机构（双作用） Pneumatic piston actuator (double acting)

DN		DA83	DA110	DA125	DA160	DA190	DA250	DA280	DA300	DA350	DA400
25	软密封	4.1									
	金属密封	3.2									
32	软密封	2.8									
	金属密封	2.2	4.1								
40	软密封	2.0	3.8								
	金属密封	1.6	2.9								
50	软密封	1.4	2.7								
	金属密封		2.0	4.0							
65	软密封		1.6	3.4							
	金属密封		1.2	2.6							
80	软密封		1.0	2.3	4.9						
	金属密封			1.7	3.5						
100	软密封			1.5	3.2						
	金属密封			1.0	2.4						
125	软密封			0.7	1.8	4.1					
	金属密封				1.2	2.8					
150	软密封				1.1	2.5					
	金属密封					1.7	3.6				
200	软密封					1.0	2.5	4.5			
	金属密封						1.6	2.9			
250	软密封						1.3	2.3			
	金属密封							1.6	2.3		
300	软密封							1.4	2.1		
	金属密封								1.3	2.3	
350	软密封								1.3	2.1	
	金属密封									1.3	1.7
400	软密封									1.3	1.8
	金属密封										1.1

外形尺寸 DIMENSIONS

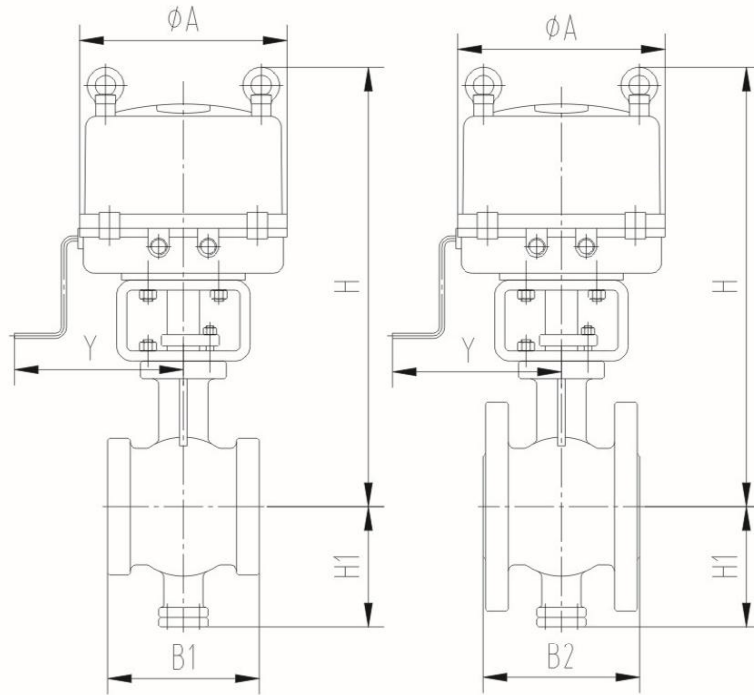
气动执行机构 Pneumatic actuator



单位 UNIT: mm

DN	B1	B2	H	H1	执行机构	
	PN16/150LB	PN16、40/150、300LB			A	规格
25	50	102	272	81	168	DA-63
			293		260	SR-83
32	60	102	280	86	168	DA-63
			299		260	SR-83
40	60	114	315	90	204	DA-83
			377		298	SR-125
50	75	124	365	93	262	DA-105
			387		298	SR-125
65	100	145	365	108	262	DA-105
			387		298	SR-125
80	100	165	396	123	298	DA-125
			448		458	SR-160
100	115	194	396	138	298	DA-125
			448		458	SR-160
125	129	194	470	148	390	DA-140
			512		525	SR-190
150	160	229	470	170	390	DA-140
			512		525	SR-190
200	200	243	525	200	460	DA-160
			565		580	SR-210
250	240	297	555	240	525	DA-190
			605		602	SR-240

全电子式执行机构 Solid state electronic type



单位 UNIT: mm

DN	B1	B2	H	H1	执行机构		
	PN16/150LB	PN16、40/150、300LB			A	Y	规格
25	50	102	384	81	225	200	RSA-02 RSA-05
32	60	102	392	86	225	200	RSA-02 RSA-05
40	60	114	444	90	255	225	RSA-05 RSB-10
50	75	124	444	93	255	225	RSA-05 RSB-10
65	100	145	461	108	255	225	RSA-05 RSB-10
80	100	165	527	123	255	225	RSB-10 RSB-20
100	115	194	576	138	335	265	RSB-20 RSC-30
125	129	194	607	148	335	265	RSC-30 RSC-50
150	160	229	785	170	520	365	RSC-60 RSC-80
200	200	243	803	200	520	365	RSC-80 RSD-100
250	240	297	863	240	520	365	RSD-100 RSD-150

BR.W83系列三通O型球阀 BR.W83 Series three way O ball valve

阀本体 VALVE BODY

型式 Type	三通 O 型球阀 Three way O ball valve
公称通径 Body size	25 ~ 200 mm(1" ~ 8")
公称压力 Body ratings	PN16, 25, 40, 63, 100 ANSI CLASS 150, 300, 600
连接方式 Connections	法兰式 (RF、MFM、RJ) Flanged(RF、MFM、RJ)
法兰标准 Flange standard	HG/T20592 HG/T20615 ANSI B16.5
阀体及阀盖材质 Body & Bonnet Material	WCB WC6 CF8 CF8M CF3 CF3M ……
填料 Packing	V 型聚四氟乙烯 V-PTFE 柔性石墨 Flexible Graphite
泄漏量 Seat leakage	硬密封 Hard seal: IV级, V级 软密封 Soft seal: VI级
涂层 Painting color	按要求 As required 不锈钢阀体不涂漆 Stainless steel body have no paint

执行机构 ACTUATOR

	活塞式 Piston type	全电子式 Solid state electronic type
气源 / 电源 Air supply or power supply	0.4 ~ 0.6MPa	220V.AC 50Hz 380V.AC 50Hz
接口 Connection	Rc1/4", Rc1/2", Rc3/8"	配线 :2-G1/2"
正作用 Direct action	气压增加阀闭 Air to valve shut	输入信号增加阀闭 Signal increase to vavle shut
反作用 Reverse action	气压增加阀开 Air to valve open	输入信号增加阀开 Signal increase to vavle open
环境温度 Ambient Temp.	-40 ~ +70 °C	-10 ~ +55 °C
可选阀门附件 Optional valve attachment	过滤减压阀, 电磁阀, 限位开关等 Filter pressure reducer, solenoid valve, limit switch, etc	微动开关、电位器、空间加热器、 接线盒、手动手柄等 Microswitch, potentiometer, space heater, junction box, manual handle, etc

材质 MATERIAL

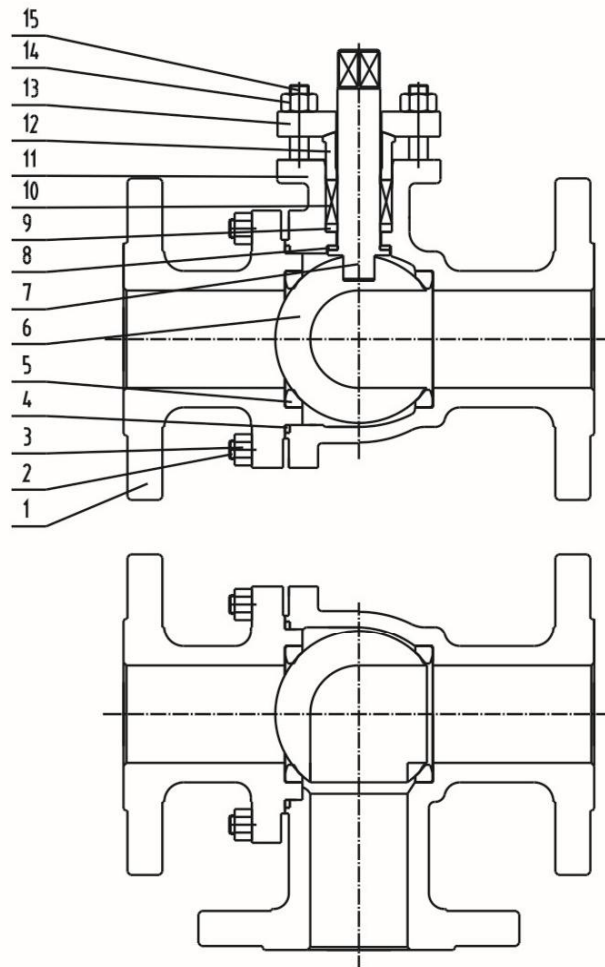
阀体 Body	WCB WCC A105		Cf8 CF8M CF3 CF3M	
阀杆 Stem	17-4PH	XM-19	XM-19	
球芯 Ball	304	304+Ni60	316L	316L+ Ni60
阀座 Seat	RPTFE	304+Ni55	RPTFE	316L+ Ni55
填料 Packing	V-PTFE	GRAP	GRAP	
使用温度 Operating Temp.	-29~200 °C	-29~420 °C	-29~200 °C	-29~420 °C
阀座泄漏量 Seat Leakage	VI	IV、V	VI	IV、V

03

额定Cv RATED CV

DN	IN	CV	DN	IN	CV
25	1 "	65	80	3"	660
32	1-1/4 "	110	100	4"	1050
40	1-1/2 "	160	125	5"	1600
50	2 "	260	150	6"	2400
65	2-1/2 "	430	200	8"	4200

阀体结构 BODY CONSTRUCTION



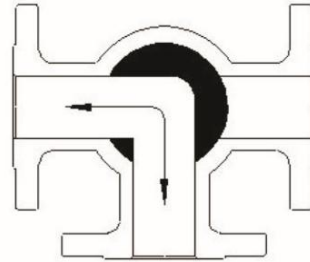
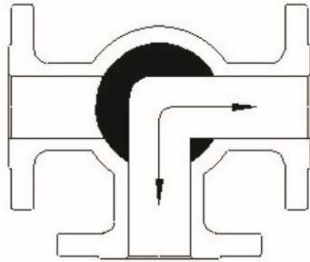
03

序号 NO	名称 Name	序号 NO	名称 Name	序号 NO	名称 Name
1	阀体 Body	6	球芯 Ball	11	填料 Packing
2	双头螺柱 Double end studs	7	阀杆 Stem	12	压套 Pressing sleeve
3	六角螺母 Nut	8	垫圈 Gasket	13	压板 Pressure plate
4	垫圈 Gasket	9	轴套 Axle sleeve	14	六角螺母 Nut
5	阀座 Seat	10	填料垫 Packing seat	15	双头螺柱 Double end studs

安装类型 INSTALLATION TYPE

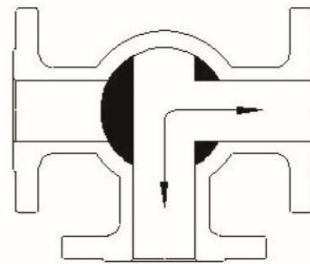
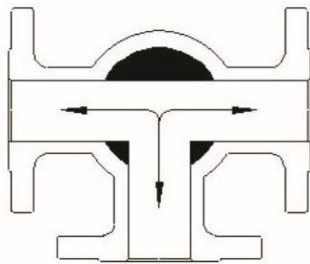
L 型：换向

A 型安装方式



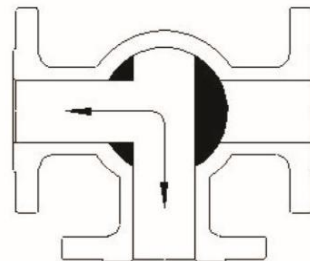
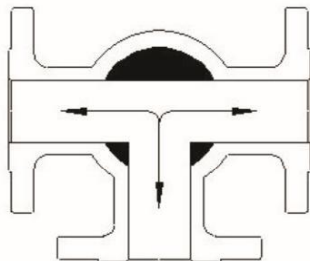
T 型：分流、合流、换向

B 型安装方式

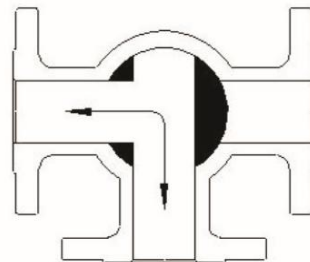
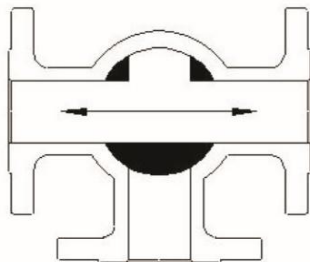


03

C 型安装方式



D 型安装方式



最大允许压差 (单位: MPa)

MAXIMAL ALLOWABLE PRESSURE DROPS (UNIT: MPa)

气动活塞式执行机构 (单作用) Pneumatic piston actuator (single action)

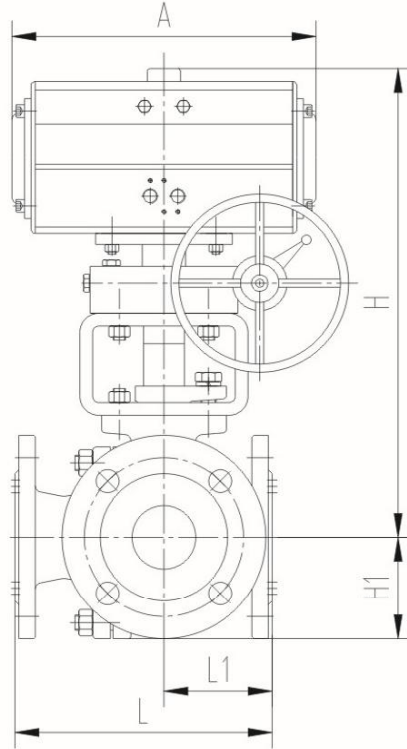
DN	DA-50	DA-63	DA-83	DA-125	DA-140	DA-190	DA-250	Da270
	SR-63	SR-83	SR-125	SR-160	SR-190	SR-250	SR-300	SR350
15	2.5							
20	1.6							
25	1.0	2.5						
32		1.6						
40		1.0	2.5					
50			1.6					
65			1.0	2.5				
80				1.6	2.0			
100				1.0	1.6	2.5		
125					1.0	1.6	2.5	
150						1.0	1.6	2.5
200							1.0	1.6

气动活塞式执行机构 (双作用) Pneumatic piston actuator (double acting)

DN	RSA-02	RSA-05	RSB-10	RSB-20	RSC-30	RSC-60	RSD-100	RSD-150
15	2.5							
20	1.6							
25	1.0	2.5						
32		1.6						
40		1.0	2.5					
50			1.6	2.5				
65			1.0	1.6	2.5			
80				1.0	1.6	2.5		
100					1.0	1.6	2.5	
125						1.0	1.6	2.5
150							1.0	1.6
200								1.0

外形尺寸 DIMENSIONS

气动执行机构 Pneumatic actuator

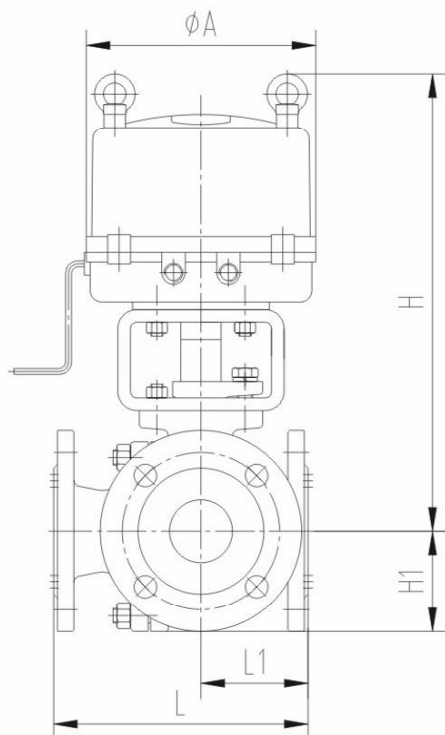


单位 UNIT: mm

DN	L	L1	H1	H	A	执行机构
25	180	90	58	245	204	DA-83
				275	298	SR-125
32	200	100	70	260	262	DA-83
				290	298	SR-125
40	220	110	75	270	262	DA-110
				305	298	SR-140
50	240	120	83	340	298	DA-110
				375	458	SR-140
65	260	130	93	390	298	DA-125
				430	458	SR-160
80	280	140	100	410	390	DA-125
				450	525	SR-160
100	320	160	123	430	390	DA-140
				470	525	SR-190
125	380	190	135	570	460	DA-190
				650	580	SR-250
150	440	220	150	625	525	DA-250
				665	602	SR-300
200	580	290	188	735	525	DA-250
				775	602	SR-300

BR.W8 系列球阀
BR.W8 SERIES BALL VALVE

全电子式执行机构 Solid state electronic type



单位 UNIT: mm

DN	L	L1	H	H1	A	执行机构
25	180	90	362	155	255	RSB-10
32	200	100	362	155	255	RSB-10
40	220	110	414	165	335	RSC-30
50	240	120	421	165	335	RSC-30
65	260	130	487	165	335	RSC-60
80	280	140	536	165	335	RSC-60
100	320	160	567	165	335	RSC-60
125	380	190	745	120	470	RSD100
150	440	220	763	120	470	RSD100
200	580	290	813	120	470	RSD100/150

BR.W84系列偏心旋转阀

BR.W84 Series eccentric rotary valves

阀本体 VALVE BODY

型式 Type	偏心旋转阀 Eccentric rotary valve
公称通径 Body size	25 ~ 250 mm(1" ~ 10")
公称压力 Body ratings	PN16, 25, 40, 63, 100 ANSI CLASS 150, 300, 600
流量特性 Characteristics	等百分比, 线性 Equal percentage, linear
可调比 R Rangeability R	等百分比 Equal percentage 100:1 线性 Linear 50:1
连接方式 Connections	法兰式 (RF、MFM) Flanged(RF、MFM) 对夹式 wafer
法兰标准 Flange standard	HG/T20592 HG/T20615 ANSI B16.5
阀体及阀盖材质 Body & Bonnet Material	WCB WC6 WC9 CF8 CF8M CF3 CF3M
填料 Packing	V 型聚四氟乙烯 V-PTFE 柔性石墨 Flexible Graphite
泄漏量 Seat leakage	硬密封 Hard seal : IV级, V级 软密封 Soft seal : VI级
涂层 Painting color	按要求 As required 不锈钢阀体不涂漆 Stainless steel body have no paint

04

执行机构 ACTUATOR

	活塞式 Piston type	滚动膜片式 Rolling diaphragm type
气源 / 电源 Air supply or power supply	0.4 ~ 0.6MPa	0.4 ~ 0.6MPa
接口 Connection	Rc1/4", Rc1/2", Rc3/8"	Rc1/4", Rc1/2"
正作用 Direct action	气压增加阀闭 Air to valve shut	输入信号增加阀闭 Signal increase to vavle shut
反作用 Reverse action	气压增加阀开 Air to valve open	输入信号增加阀开 Signal increase to vavle open
环境温度 Ambient Temp.	-40 ~ +70 °C	
可选阀门附件 Optional valve attachment	过滤减压器, 电磁阀, 限位开关等 Filter pressure reducer, solenoid valve, limit switch, etc	

材质 MATERIAL

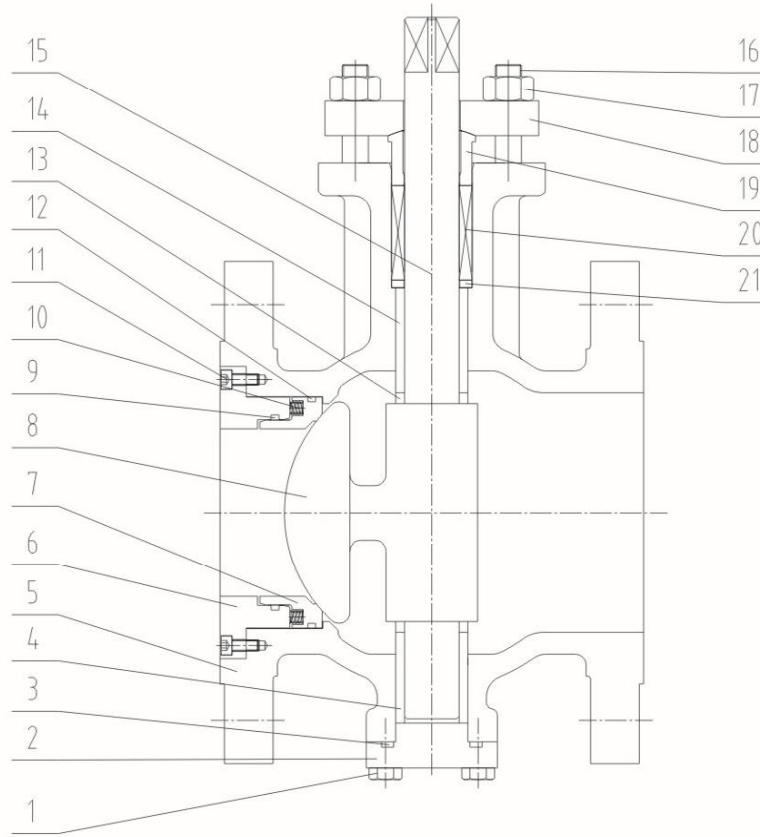
阀体 Body	WCB WCC		WC6 WC9	
阀杆 Stem	17-4PH	XM-19	XM-19	
球芯 Ball	304	304+Ni60	304+STL	304+Ni60
阀座 Seat	RPTFE	304+Ni55	304+STL	304+Ni55
填料 Packing	V-PTFE	GRAP	GRAP	
使用温度 Operating Temp.	-29~200 °C	-29~420 °C	-29~420 °C	360~560 °C
阀座泄漏量 Seat Leakage	VI	IV、V	IV、V	IV、V

阀体 Body	CF3 CF3M F304L F316L		CF8 CF8M F304 F316	
阀杆 Stem	XM-19		XM-19	Gr660
球芯 Ball	316	316+Ni60	316	316+Ni60
阀座 Seat	PCTFE	316+Ni55	RPTFE	316+Ni55
填料 Packing	V-PTFE	GRAP	V-PTFE	GRAP
使用温度 Operating Temp.	-196~40 °C		-40~4200 °C	
阀座泄漏量 Seat Leakage	VI	IV、V	VI	IV、V

额定Cv RATED CV

DN	IN	CV		
25	1 "	14	8.4	5.6
40	1-1/2 "	30	18	12
50	2 "	50	30	20
80	3 "	135	81	54
100	4 "	230	138	92
150	6 "	500	300	200
200	8 "	850	510	340
250	10 "	1300	780	520
300	12 "	1750	1050	700

阀体结构 BODY CONSTRUCTION



04

序号 NO	名称 Name	序号 NO	名称 Name	序号 NO	名称 Name
1	六角螺栓 Hex bolt	8	球芯 Ball	15	阀杆 Stem
2	底盖 Bottom	9	O 型圈 O-rings	16	双头螺柱 Double end studs
3	垫圈 Gasket	10	弹簧 Spring	17	六角螺母 Nut
4	轴套 Axle sleeve	11	螺钉 Screw	18	压板 Pressure plate
5	阀体 Body	12	O 型圈 O-rings	19	压套 Pressing sleeve
6	压圈 Compression ring	13	垫圈 Gasket	20	填料 Packing
7	阀座 Seat	14	轴套 Axle sleeve	21	填料垫 Packing seat

最大允许压差 (单位: MPa)
MAXIMAL ALLOWABLE PRESSURE DROPS (UNIT: MPa)

硬密封 Hard seal

DN	CV	气开流开型	气开流关型或气关流开型											
			气源压力											
			0.14	0.18	0.21	0.25	0.28	0.32	0.35	0.39	0.42	0.46	0.49	0.53
1 "	14	7.0	7.0											
	5.6	10.2	10.0											
1 1/2 "	30	4.7	3.0	5.6										
	12	9.8	6.3	10.2										
2 "	50	2.5	1.6	3.5	4.2									
	20	5.2	3.3	7.0	7.0									
3 "	135	2.0	1.3	2.7	4.2									
	54	4.5	2.8	6.1	7.0									
4 "	230	1.0	0.63	1.4	2.2	3.1	3.9	4.1						
	92	2.2	1.4	3.0	4.9	6.8	7.0	7.0						
6 "	500	0.63			0.35	0.91	1.4	2.1	2.5	3.1	3.7	4.2		
					0.35	0.91	1.4	2.1	2.5	3.1	3.7	4.2		
					0.35	0.91	1.4	2.1	2.5	3.1	3.7	4.2		
	200	1.4			0.77	2.0	3.2	4.4	5.6	6.8	7.0			
					0.77	2.0	3.2	4.4	5.6	6.8	7.0			
					0.77	2.0	3.2	3.5	5.6	6.8	7.0			
8 "	850	0.32			0.18	0.42	0.7	1.0	1.3	1.5	1.8	2.1	2.4	2.5
					0.18	0.42	0.7	1.0	1.3	1.5	1.8	2.1	2.4	2.5
					0.18	0.42	0.63	1.0	1.3	1.5	1.8	2.1	2.4	2.5
	510	0.49			0.28	0.7	1.1	1.5	2.0	2.4	2.8	3.2	3.7	3.9
					0.28	0.7	1.1	1.5	2.0	2.4	2.8	3.2	3.7	3.9
					0.28	0.7	1.0	1.5	2.0	2.4	2.8	3.2	3.7	3.9
340	0.77			0.42	1.1	1.8	2.5	3.2	3.9	4.5	5.2	5.9	6.3	
				0.42	1.1	1.8	2.5	3.2	3.9	4.5	5.2	5.9	6.3	
				0.42	1.0	1.5	2.5	3.2	3.9	4.5	5.2	5.9	6.3	
10 "	1300	0.18			0.11	0.25	0.38	0.56	0.7	0.84	0.98	1.1	1.3	1.5
					0.11	0.25	0.35	0.56	0.7	0.84	0.98	1.1	1.3	1.5
					0.11	0.25	0.38	0.56	0.7	0.84	0.98	1.1	1.3	1.5
	780	0.42			0.14	0.35	0.56	0.84	1.1	1.3	1.5	1.8	2.0	2.2
					0.14	0.35	0.56	0.84	1.1	1.3	1.5	1.8	2.0	2.2
					0.14	0.35	0.49	0.84	1.1	1.3	1.5	1.8	2.0	2.2
520	0.42			0.25	0.63	0.98	1.3	1.7	2.1	2.5	2.8	3.2	3.6	
				0.25	0.63	0.98	1.3	1.7	2.1	2.5	2.8	3.2	3.6	
				0.25	0.63	0.84	1.3	1.7	2.1	2.5	2.8	3.2	3.6	
12 "	1750	0.11			0.14	0.21	0.32	0.39	0.49	0.56	0.63	0.7	0.84	
					0.14	0.21	0.32	0.39	0.49	0.56	0.63	0.7	0.84	
					0.14	0.21	0.32	0.39	0.49	0.56	0.63	0.7	0.84	
	1050	0.14			0.07	0.21	0.35	0.49	0.63	0.7	0.84	0.98	1.1	1.3
					0.07	0.21	0.35	0.49	0.63	0.7	0.84	0.98	1.1	1.3
					0.07	0.21	0.32	0.49	0.63	0.7	0.84	0.98	1.1	1.3
700	0.25			0.14	0.35	0.56	0.77	0.98	1.3	1.5	1.7	1.9	2.1	
				0.14	0.35	0.56	0.77	0.98	1.3	1.5	1.7	1.9	2.1	
				0.14	0.35	0.49	0.77	0.98	1.3	1.5	1.7	1.9	2.1	

软密封 Soft seal

DN	CV	气开流开型	气开流关型或气关流开型											
			气源压力											
			0.14	0.18	0.21	0.25	0.28	0.32	0.35	0.39	0.42	0.46	0.49	0.53
1"	14	5.6	5.6											
	5.6	7.0	7.0											
1 1/2"	30	3.5	1.6	4.9										
	12	7.0	3.7	7.0										
2"	50	1.8	0.7	2.6	4.2									
	20	3.7	1.6	5.3	7.0									
3"	135	1.4	0.62	2.1	3.5									
	54	3.4	1.6	4.8	5.6									
4"	230	0.7	0.25	1.1	1.8	2.6	3.4	3.5						
	92	1.6	0.7	2.3	4.0	5.6	5.6	5.6						
6"	500	0.42			0.14	0.63	1.2	1.7	2.2					
					0.14	0.63	1.2	1.7	2.2	2.7	3.2	3.5		
					0.14	0.63	1.2	1.7	2.5	2.7	3.2	3.5		
	200	1.1			0.42	1.5	2.7	3.7						
					0.42	1.5	2.7	3.7	4.8	5.6				
					0.42	1.5	2.7	3.7	4.8	5.6				
8"	850	0.14				0.28	0.52	0.77						
						0.28	0.52	0.77	1.1	1.3	1.85	1.8	2.1	
						0.28	0.52	0.63	1.1	1.3				
	510	0.28			0.07	0.46	0.84	1.2						
					0.07	0.46	0.84	1.2	1.6	2.0	2.4	2.8	3.2	
					0.07	0.46	0.84	0.96	16	2.0				
	340	0.49			0.14	0.77	1.4	2.0						
					0.14	0.77	1.4	2.0	2.6	3.2	3.8	4.4	4.9	
					0.14	0.77	1.4	1.5	2.6	3.2				
10"	1300					0.11	0.25	0.38						
						0.11	0.25	0.38	0.53	0.67	0.77	0.91	1.1	1.2
						0.11	0.25	0.35	0.53	0.67	0.70			
	780	1.1				0.21	0.42	0.63						
						0.21	0.42	0.63	0.84	1.1	1.3	1.5	1.7	1.9
						0.21	0.42	0.63	0.84	1.1				
	520	0.21				0.35	0.7	1.1						
						0.35	0.7	1.1	1.3	1.7	2.0	2.3	2.7	3.0
						0.35	0.7	0.84	1.3	1.7				
12"	1750					0.04	0.11	0.18	0.28					
						0.04	0.11	0.18	0.28	0.35	0.42	0.49	0.6	0.67
						0.04	0.11	0.18	0.21	0.35	0.42			
	1050					0.07	0.21	0.32						
						0.07	0.21	0.32	0.46	0.56	0.7	0.77	0.91	1.1
						0.07	0.21	0.32	0.46	0.56				
	700	0.07				0.18	0.35	0.56						
						0.18	0.35	0.56	0.77	0.91	1.1	1.3	1.5	1.8
						0.18	0.35	0.56	0.77	0.91	0.90			

附录 Appendix

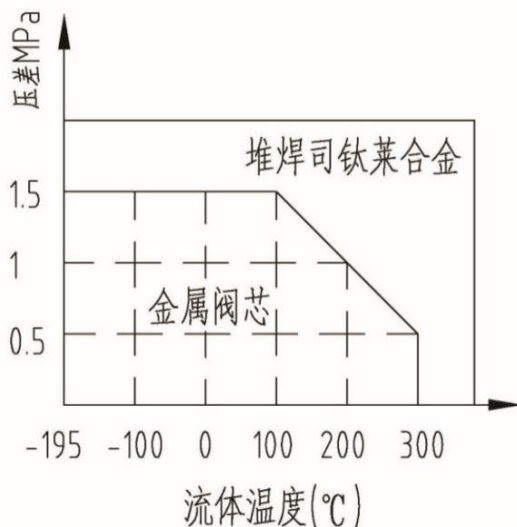
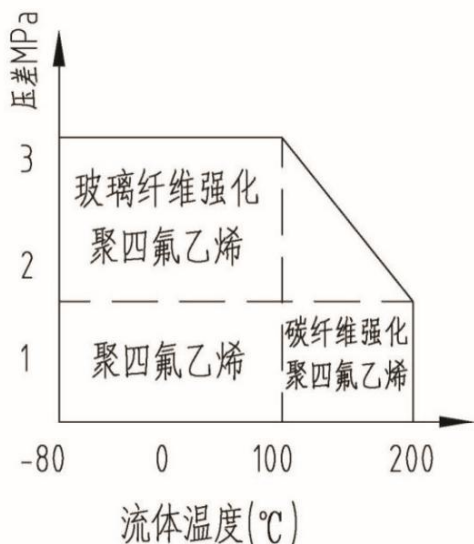
附录A: 阀体的使用温度·压力范围 Appendix A: Valve body temperature and pressure range

温度 (°C)	Class 150					Class 300					Class 600				
	SCPL1 LCB	SCPH2 WCB	SCPH21 WC6	SCS13A CF8	SCS14A CF8M	SCPL1 LCB	SCPH2 WCB	SCPH21 WC6	SCS13A CF8	SCS14A CF8M	SCPL1 LCB	SCPH2 WCB	SCPH21 WC6	SCS13A CF8	SCS14A CF8M
-196~38	-	-	-	1.90	1.90	-	-	-	4.95	4.95	-	-	-	9.91	9.92
-45~38	1.84	-	-	1.90	1.90	4.78	-	-	4.95	4.95	9.57	-	-	9.91	9.92
-5~38	1.84	1.96	1.99	1.90	1.90	4.78	5.10	5.16	4.95	4.95	9.57	10.20	10.32	9.91	9.92
50	1.81	1.92	1.92	1.84	1.84	4.72	5.00	5.10	4.77	4.80	9.46	10.01	10.22	9.56	9.62
100	1.72	1.76	1.76	1.56	1.61	4.51	4.63	4.88	4.08	4.21	9.02	9.27	9.74	8.17	8.43
150	1.57	1.57	1.57	1.39	1.47	4.40	4.51	4.63	3.62	3.85	8.78	9.04	9.26	7.26	7.69
200	1.40	1.40	1.40	1.25	1.37	4.26	4.38	4.54	3.27	3.56	8.54	8.75	9.09	6.54	7.12
250	1.20	1.20	1.20	1.16	1.20	4.05	4.16	4.44	3.04	3.34	8.11	8.33	8.88	6.10	6.67
300	1.01	1.01	1.01	1.01	1.01	3.76	3.87	4.23	2.91	3.15	7.54	7.74	8.48	5.80	6.32
350	0.84	0.84	0.84	0.84	0.84	3.59	3.69	4.01	2.81	3.03	7.18	7.38	8.04	5.60	6.07
375		0.73	0.73	0.73	0.73		3.64	3.88	2.77	2.96		7.28	7.75	5.54	5.93
400		0.64	0.64	0.64	0.64		3.44	3.65	2.74	2.91		6.89	7.31	5.48	5.81
425		0.55	0.55	0.55	0.55		2.88	3.50	2.71	2.87		5.74	7.01	5.42	5.72
440		0.47	0.47	0.47	0.47		1.99	3.38	2.68	2.81		4.00	6.75	5.37	5.61
475		0.37	0.37	0.37	0.37		1.35	3.16	2.65	2.73		2.70	6.32	5.30	5.46
500		0.28	0.28	0.28	0.28		0.88	2.77	2.60	2.67		1.75	5.55	5.20	5.37
525		0.18	0.18	0.18	0.18		0.51	2.02	2.19	2.57		1.03	4.04	4.77	5.15
538		0.13	0.15	0.15	0.15		0.34	1.63	2.18	2.53		0.72	3.26	4.55	5.06

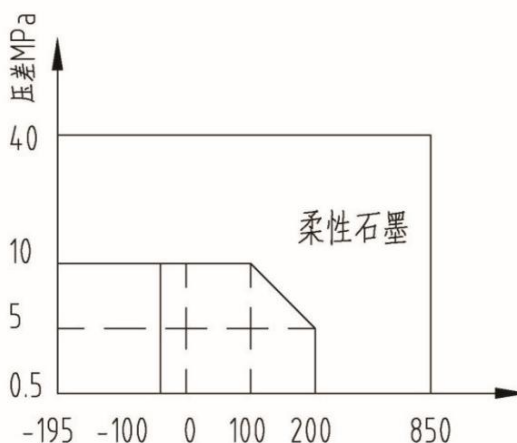
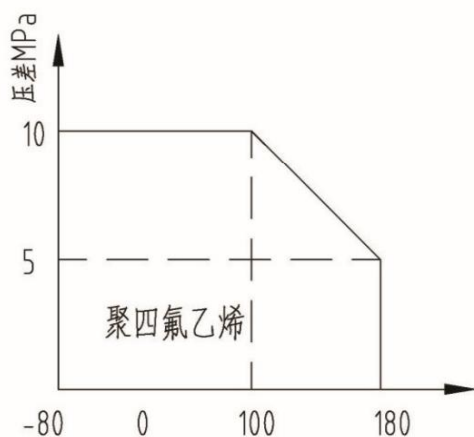
温度 (℃)	Class 900						Class 1500						Class 2500					
	SCPL1	SCPH2	SCPH21	SCPH32	SCS13A	SCS14A	SCPL1	SCPH2	SCPH21	SCPH32	SCS13A	SCS14A	SCPL1	SCPH2	SCPH21	SCPH32	SCS13A	SCS14A
	LCB	A105 WCB	F11 WC6	F22 WC9	F304 CF8	F316 CF8M	LCB	A105 WCB	F11 WC6	F22 WC9	F304 CF8	F316 CF8M	LCB	A105 WCB	F11 WC6	F22 WC9	F304 CF8	F316 CF8M
-196~38	-	-	-	-	14.88	14.88	-	-	-	-	24.79	24.79	-	-	-	-	41.33	41.34
-45~38	14.35	-	-	-	14.88	14.88	23.92	-	-	-	24.79	24.79	39.87	-	-	-	41.33	41.34
-5~38	14.35	15.31	15.50	15.50	14.88	14.88	23.92	25.51	25.84	25.84	24.79	24.79	39.87	42.52	43.07	43.07	41.33	41.34
50	14.18	15.01	15.33	15.35	14.34	14.43	23.64	25.02	25.55	25.58	23.90	24.04	39.40	41.70	42.59	42.64	39.84	40.07
100	13.52	13.90	14.62	14.70	12.25	12.65	22.53	23.16	24.36	24.50	20.42	21.09	37.56	38.62	40.61	40.85	34.01	35.14
150	13.18	13.56	13.90	13.98	10.89	11.54	21.96	22.60	23.18	23.30	18.16	19.24	36.60	37.66	38.61	38.84	30.26	32.07
200	12.79	13.14	13.63	13.45	9.82	10.69	21.32	21.89	22.73	22.40	16.37	17.83	35.53	36.50	37.88	37.35	27.28	29.71
250	12.17	12.51	13.33	13.26	9.15	10.02	20.28	20.84	22.22	22.10	15.26	16.68	33.80	34.75	37.03	36.83	25.43	27.80
300	11.30	11.61	12.72	12.72	8.71	9.49	18.84	19.36	21.20	21.20	14.52	15.80	31.40	32.26	35.33	35.33	24.20	26.34
350	10.78	11.08	12.06	12.06	8.42	9.12	17.96	18.46	20.11	20.11	14.02	15.20	29.95	30.78	33.51	33.51	23.36	25.36
375		10.94	11.63	11.63	8.32	8.91		18.22	19.38	19.38	13.86	14.84		30.37	32.32	32.32	23.12	24.74
400		10.34	10.98	10.98	8.23	8.72		17.24	18.28	18.28	13.72	14.55		28.73	30.47	30.47	22.87	24.25
425		8.62	10.53	10.53	8.14	8.59		14.37	17.54	17.54	13.57	14.32		23.94	29.23	29.23	22.63	23.87
440		6.01	10.13	10.13	8.06	8.42		10.02	16.89	16.89	13.42	14.03		16.68	28.16	28.16	22.37	23.38
475		4.06	9.50	9.50	7.97	8.20		6.76	15.82	15.82	13.27	13.67		11.28	26.36	26.36	22.13	22.79
500			8.33	8.33	7.81	8.05			13.89	13.89	13.02	13.40			23.15	23.15	21.71	22.34
525			6.08	6.58	7.15	7.73			10.12	10.96	11.94	12.89			16.88	18.26	19.88	21.47
550			3.83	4.91	6.54	7.49			6.38	8.17	10.91	12.48			10.63	13.63	18.17	20.79
575			2.55	3.51	6.02	7.22			4.24	5.85	10.04	12.04			7.08	9.74	16.72	20.07
600			1.75	2.29	5.01	6.43			2.94	3.82	8.35	10.71			4.90	6.36	13.92	17.85
625					3.92	5.48					6.54	9.12					10.89	15.20
650					3.16	4.23					5.25	7.06					8.75	11.76
675					2.33	3.78					3.88	6.31					6.45	10.53

附录B：阀内件、填料的使用温度·压力范围
Appendix B: Valve Trim、Packing temperature and pressure range

阀内件使用温度·压力范围 Valve Trim temperature and pressure range



填料的使用温度·压力范围 Packing temperature and pressure range



附录C：常用材料牌号对照表 Appendix C: Comparison table of commonly used material grades

材料	中国 GB	美国 ANSI ASTM	日本 JIS	德国 DIN
不锈钢 (棒材)	06CR19NI10	304,S30400	SUS 304	1.4301
	06CR17NI12MO2	316,S31600	SUS 316	1.4408
	022CR19NI10	304L,S30403	SUS 304L	1.4306
	022CR17NI12MO2	316L,S31603	SUS 316L	1.4404
	12CR13	410,S41000	SUS 410	1.4006
	05CR17NI4CUNB	630,S17400	SUS 630	
不锈钢 (铸件)	CF8	CF8	SCS13 、 SCS13A	
	CF8M	CF8M	SCS14 、 SCS14A	
	CF3	CF3		
	CF3M	CF3M		
碳钢 (铸件)	LCB	LCB		
	WCB	WCB	SCPH2	
	WCC	WCC	SCPH21	
	WC6	WC6		

附录D：常用材料选用表
Appendix D: Selection list of common materials

材料名称 流体名称	碳钢	铸钢	302 304 不锈钢	316 不锈钢	铜	蒙乃尔 合金 (Monel)	哈氏 合金 (HB)	哈氏 合金 (HC)	Duri- met- 20	钛材	钴基 合金 -6	416 不锈钢	440C 不锈钢	17-4 PH 不锈钢
乙醛	A	A	A	A	A	A	I、L	A	A	I、L	I、L	A	A	A
醋酸(气)	C	C	B	B	B	B	A	A	A	A	A	C	C	B
醋酸(气化)	C	C	A	A	A	A	A	A	A	A	A	C	C	B
醋酸(蒸汽)	C	C	A	A	B	B	I、L	A	B	A	A	C	C	B
丙酮	A	A	A	A	A	A	A	A	A	A	A	A	A	A
乙炔	A	A	A	A	I、L	A	A	A	A	I、L	A	A	A	A
醇	A	A	A	A	A	A	A	A	A	A	A	A	A	A
硫酸铅	C	C	A	A	B	B	A	A	A	A	I、L	C	C	I、L
氨	A	A	A	A	C	A	A	A	A	A	A	A	A	I、L
氯化铵	C	C	B	B	B	B	A	A	A	A	B	C	C	I、L
硝(酸)铵	A	C	A	A	C	C	A	A	A	A	A	C	B	I、L
磷酸铵(单基)	C	C	A	A	B	B	A	A	B	A	A	B	B	I、L
硫酸铵	C	C	B	A	B	A	A	A	A	A	A	C	C	I、L
亚硫酸铵	C	C	A	A	C	C	I、LA	A	A	A	A	B	B	I、L
苯胺	C	C	A	A	C	B	A	A	A	A	A	C	C	I、L
苯	A	A	A	A	A	A	A	A	A	A	A	A	A	A
苯甲酸	C	C	A	A	A	A	I、L	A	A	A	I、L	A	A	A
硼酸	C	C	A	A	A	A	A	A	A	A	A	B	B	I、L
丁烷	A	A	A	A	A	A	A	A	A	I、L	A	A	A	A
氯化钙	B	B	C	B	C	A	A	A	A	A	I、L	C	C	I、L
石炭酸	B	B	A	A	A	A	A	A	A	A	A	I、L	I、L	I、L
二氧化碳(干)	A	A	A	A	A	A	A	A	A	A	A	A	A	A
二氧化碳(湿)	C	C	A	A	B	A	A	A	A	A	A	A	A	A
二氧化碳	A	A	A	A	C	B	A	A	A	A	A	B	B	I、L
四氯化碳	B	B	B	B	A	A	B	A	A	A	I、L	C	A	I、L
碳酸	C	C	B	B	B	A	A	A	A	I、L	I、L	A	A	A
氯气(干)	A	A	B	B	B	A	A	A	A	C	B	C	C	C
氯气(湿)	C	C	C	C	C	C	C	B	C	A	B	C	C	C
氯气(液态)	C	C	C	C	B	C	C	A	B	C	B	C	C	C
铬酸	C	C	C	B	C	A	C	A	C	A	B	C	C	C
焦炉气	A	A	A	A	B	B	A	A	A	A	A	A	A	A
硫酸铜	C	C	B	B	B	C	I、L	A	A	A	I、L	A	A	A
乙烷	A	A	A	A	A	A	A	A	A	A	A	A	A	A
醚	B	B	A	A	A	A	A	A	A	A	A	A	A	A
氯乙烷	C	C	A	A	A	A	A	A	A	A	A	B	B	I、L
乙烯	A	A	A	A	A	A	A	A	A	A	A	A	A	A
乙二醇	A	A	A	A	A	A	I、L	I、L	A	I、L	A	A	A	A
氯化铁	C	C	C	C	C	C	C	B	C	A	B	C	C	I、L
甲醛	B	B	A	A	A	A	A	A	A	A	A	A	A	A
甲酸	I、L	C	B	B	A	A	A	A	A	C	B	C	C	B
氟里昂(湿)	B	B	B	A	A	A	A	A	A	A	A	I、L	I、L	I、L
氟里昂(干)	B	B	A	A	A	A	A	A	A	A	A	I、L	I、L	I、L
糖醇	A	A	A	A	A	A	A	A	A	A	A	B	B	I、L
汽油(精制)	A	A	A	A	A	A	A	A	A	A	A	A	A	A
盐酸(气化)	C	C	C	C	C	C	A	B	C	C	B	C	C	C
盐酸(游离)	C	C	C	C	C	C	A	B	C	C	B	C	C	C

材料名称 流体名称	碳钢	铸钢	302 304 不锈钢	316 不锈钢	铜	蒙乃尔 合金 (Monel)	哈氏 合金 (HB)	哈氏 合金 (HC)	Duri- met- 20	钛材	钴基 合金 -6	416 不锈钢	440C 不锈钢	17-4 PH 不锈钢
氢氟酸 (气化)	B	C	C	B	C	C	A	A	B	C	B	C	C	C
游氢氟酸 (离)	A	C	C	B	C	A	A	A	B	C	I、L	C	C	I、L
氢气	A	A	A	A	A	A	A	A	A	A	A	A	A	A
过氧化氢	I、L	A	A	A	C	A	B	B	A	A	I、L	B	B	I、L
硫化氢 (液体)	C	C	A	A	C	C	A	A	B	A	A	C	C	I、L
氢氧化镁	A	A	A	A	B	A	A	A	A	A	A	A	A	I、L
甲基-乙基甲酮	A	A	A	A	A	A	A	A	A	I、L	A	A	A	A
丁酮	A	A	A	A	A	A	A	A	A	I、L	A	A	A	A
天然气	A	A	A	A	A	A	A	A	A	A	A	A	A	A
硝酸	C	C	A	B	C	C	C	B	A	A	C	C	C	B
草酸	C	C	B	B	B	B	A	A	A	B	B	B	B	I、L
氧气	A	A	A	A	A	A	A	A	A	A	A	A	A	A
甲醇	A	A	A	A	A	A	A	A	A	A	A	A	B	A
石油润滑油 (精制)	A	A	A	A	A	A	A	A	A	A	A	A	A	A
磷酸 (气化)	C	C	A	A	C	C	A	A	A	B	A	C	C	I、L
磷酸 (游离)	C	C	A	A	C	B	A	A	A	B	A	C	C	I、L
磷酸蒸汽	C	C	B	B	C	C	A	I、L	A	B	C	C	I、L	
苦味酸	C	C	A	A	C	C	A	A	A	I、L	I、L	B	B	I、L
亚氯酸钾	B	B	A	A	B	B	A	A	A	A	I、L	C	C	I、L
氢氧化钾	B	B	A	A	B	A	A	A	A	A	I、L	B	B	I、L
丙烷	A	A	A	A	A	A	A	A	A	A	A	A	A	A
松香、松脂	B	B	A	A	A	A	A	A	A	I、L	A	A	A	A
醋酸钠	A	A	B	A	A	A	A	A	A	A	A	A	A	A
碳酸钠	A	A	A	A	A	A	A	A	A	A	A	B	B	A
氯化钠	C	C	B	B	A	A	A	A	A	A	A	B	B	B
铬酸钠	A	A	A	A	A	A	A	A	A	A	A	A	A	A
氢氧化钠	A	A	A	A	C	A	A	A	A	A	A	B	B	A
次氯酸钠	C	C	C	C	B-C	B-C	C	A	B	A	I、L	C	C	I、L
硫代硫酸钠	C	C	A	A	C	C	A	A	A	A	I、L	B	B	I、L
二氯化锡	B	B	C	A	C	B	A	A	A	A	I、L	C	C	I、L
硬脂酸	A	C	A	A	B	B	A	A	A	A	B	B	B	I、L
硫酸盐溶液	A	A	A	A	C	A	A	A	A	A	A	I、L	I、L	I、L
二硫化氧 (干)	A	A	A	A	A	A	B	A	A	A	A	B	B	I、L
二氧化硫 (干)	A	A	A	A	A	A	B	A	A	A	A	B	B	I、L
硫酸 (气化)	C	C	C	C	C	C	A	A	A	B	B	C	C	C
硫酸 (游离)	C	C	C	C	B	B	A	A	A	B	B	C	C	C
亚硫酸	C	C	B	B	B	C	A	A	A	A	B	C	C	I、L
焦油	A	A	A	A	A	A	A	A	A	A	A	A	A	A
三氟乙烯	B	B	B	A	A	A	A	A	A	A	A	B	B	I、L
松节油	B	B	A	A	A	B	A	A	A	A	A	A	A	A
醋	C	C	A	A	B	A	A	A	A	I、L	A	C	C	A
水 (锅炉供水)	B	C	A	A	C	A	A	A	A	A	A	B	A	A
水 (蒸馏水)	A	A	A	A	A	A	A	A	A	A	A	B	B	I、L
海水	B	B	B	B	A	A	A	A	A	A	A	C	C	A
氯化锌	C	C	C	C	C	C	A	A	A	A	B	C	C	I、L
硫酸锌	C	C	A	A	B	A	A	A	A	A	A	B	B	I、L

注: A— 推荐使用; B— 小心使用; C— 不能使用; I、L— 缺乏资料。

Note: A— Recommended; B— Use with care; C— unusable; I, L— Lack of information.

附录E:型号编制说明 Appendix E: Model specification

型号编制 Model establishment

BR.W8

1	2	-3	4	5	6	7	8	9	10
---	---	----	---	---	---	---	---	---	----

型号简易编制 Simple model formulation

BR.W8

1	2	-3	4
---	---	----	---

1 代号	阀门类型			5 代号	公称通径		8 代号	阀体材质	
					mm	代号			Inch
1A	浮动式 O 型球阀			15	15	1/2	C	碳钢 (WCB WCC)	
1B	固定式 O 型球阀			20	20	3/4	P	不锈钢 (CF8 CF3)	
1C	衬里 O 型球阀			25	25	1	R	不锈钢 (CF8M CF3M)	
2B	V 型球阀			32	32	1-1/4	W	铬钼钢 (WC6 WC9)	
3L	L 型三通 O 型球阀			40	40	1-1/2	F	衬氟 / 衬陶瓷 (F46/ 陶瓷)	
3T	T 型三通 O 型球阀			50	50	2	2	X	其他特殊要求
4E	偏心旋转阀			65	65	2-1/2	2-1/2		
6S	上装式球阀			80	80	3	3	9	内件材质
X	其他特殊要求			100	100	4	4	代号	
				125	125	5	5	1	不锈钢
2	阀盖型式			150	150	6	6	2	不锈钢 /STL
代号						200	200	8	8
1	标准型			250	250	10	10	4	不锈钢 /PTFE
2	散热型			300	300	12	12	5	衬氟 / 衬胶
3	低温型			350	350	14	14	X	其他特殊要求
4	夹套保温型			400	400	16	16		
X	其他特殊要求			450	450	18	18	10	特殊要求
				500	500	20	20	代号	
3	公称压力			600	600	24	24	C	特殊涂层
代号	Mpa	代号	CLASS					N	NACE
16	1.6	A1	150	6				O	禁油禁水
25	2.5	A3	300	代号				T	禁铜
40	4.0	A4	400	F		法兰式		X	其他特殊要求
63	6.3	A6	600	W		焊接式			
100	10.0	A9	900	M		对夹式			
				X		其他特殊要求			
4	作用方式								执行机构
代号						7			
K	气开			代号					气动活塞式
B	气关			Z					电动式电子式
T	电动			D					手动式
S	手动			S					其他特殊要求
X	其他特殊要求			X					

示例 Example:

BR.W81A1-16K100FZP10

BR.W81A 系列浮动式 O 型球阀, 标准型阀盖, 公称压力 PN16, 气开型, 公称通径 DN100, 法兰式连接, 气动活塞式执行机构, 阀体材质不锈钢, 内件材质不锈钢, 禁油禁水处理。

BR.W72W Series floating O-type ball valve, standard valve cover, nominal pressure PN16, gas open, nominal diameter DN100, flange connection, pneumatic piston actuator, body material stainless steel, inner material stainless steel, oil and water treatment.

BR.W82B1-40K

BR.W82B 系列 V 型球阀, 标准型阀盖, 公称压力 PN40, 气开型。

BR. W82B Series V ball valves, standard bonnet, nominal pressure PN40, air opening type.



蓝 圣 智 能 装 备
LASEN INTELLIGENT EQUIPMENT



浙江蓝圣智能装备有限公司

ZHEJIANG LASEN INTELLIGENT EQUIPMENT CO.,LTD

地 址：浙江省杭州市富阳区场口工业区马山路15号

邮 编：311411

传 真：0571-23291611

电 话：0571-23252111

网 址：www.lasen.com.cn

E-mail：hzlasen@lasen.com.cn